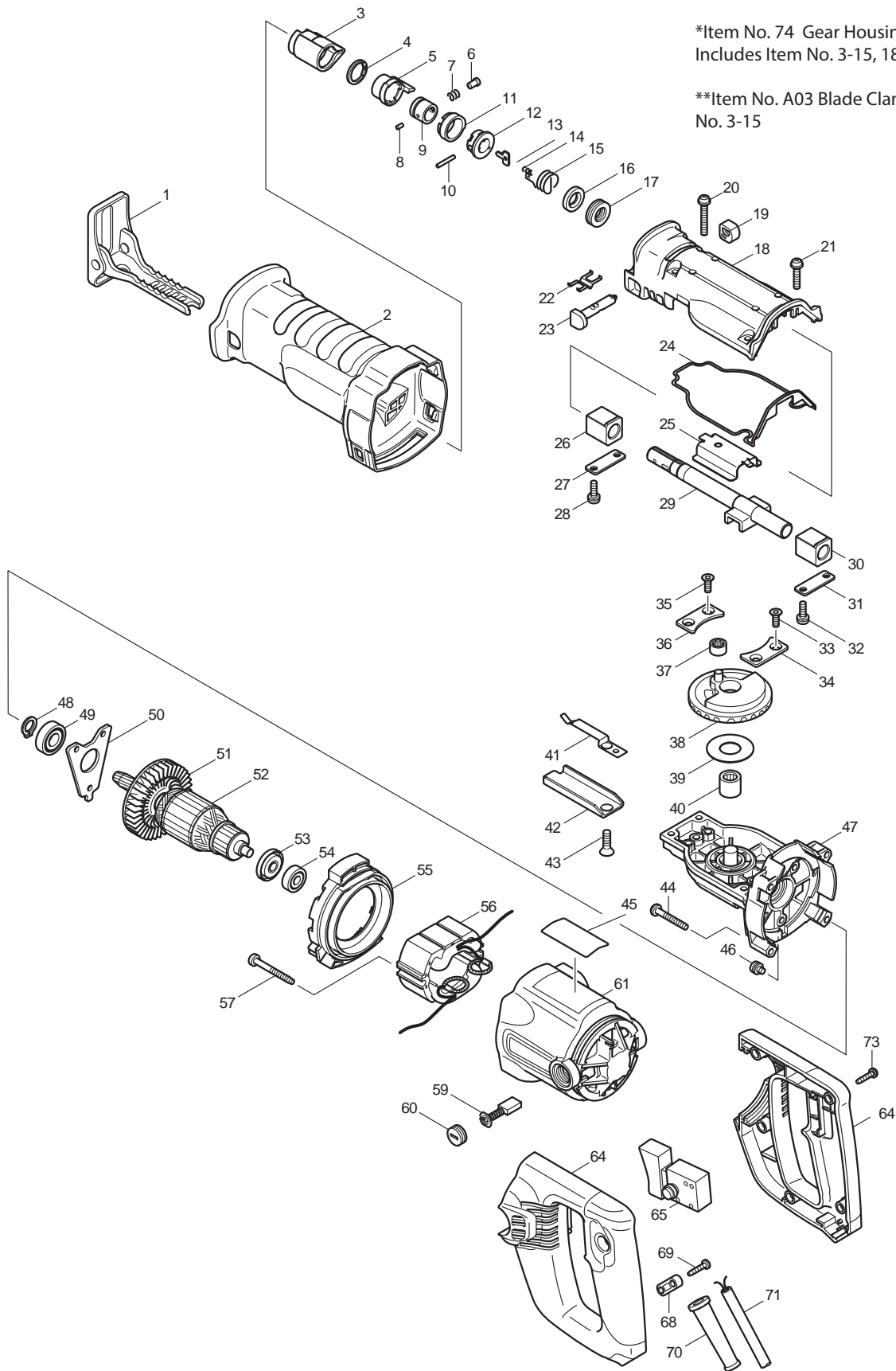




08 - 2010  
JR3050T, JR3050TX, JR3050TY  
1-1/8" RECIPRO SAW, TOOLLESS



\*Item No. 74 Gear Housing Cover Assy  
Includes Item No. 3-15, 18, 19, 22, 23, 25-32

\*\*Item No. A03 Blade Clamp Kit Includes Item  
No. 3-15

Item No	Type	Ref	Part No	Description	Qty	Unit
001			163451-9	SHOE	1	PC.
002			421892-8	INSULATION COVER	1	PC.
003			424147-0	* PROTECTOR (TYPE 2)	1	PC.
004	2		257952-8	* RETAINING RING (EXT) 18	1	PC.
	3		257430-8	* RETAINING RING (EXT) 18	1	PC.
005	2		310285-3	* DRIVING SLEEVE	1	PC.
006			256492-3	SHOULDER PIN 5 (OLD# 256471-1 - N/L/A)	1	PC.
007			233345-3	COMPRESSION SPRING 6	1	PC.
008			268094-3	PIN 3	1	PC.
009	2		331720-8	* GUIDE SLEEVE	1	PC.
	3		327043-0	* GUIDE SLEEVE	1	PC.
010			256158-5	PIN 3	1	PC.
011			417791-0	DRIVING SLEEVE GUIDE	1	PC.
012			418311-3	SLEEVE	1	PC.
013			345214-7	PUSH PLATE	1	PC.
014			233025-1	COMPRESSION SPRING 2	1	PC.
015			231687-9	TORSION SPRING 17 (OLD# 231662-5 - N/L/A)	1	PC.
016			213151-2	OIL SEAL 14	1	PC.
017			213174-0	X RING 14	1	PC.
018			154499-2	GEAR HOUSING COVER COMPLETE	1	PC.
		INC.		Item No. 16,17	1	PC.
019			418806-6	CAP	1	PC.
020			911258-5	PAN HEAD SCREW M5X35	2	PC.
021			911243-8	PAN HEAD SCREW M5X25	2	PC.
022			232221-8	LEAF SPRING A	1	PC.
023			162236-0	SHIFT BUTTON	1	PC.
024			421893-6	SEAL RING	1	PC.
025			345480-6	SLIDE PLATE	1	PC.
026			214169-6	PLANE BEARING 14	1	PC.
027			341462-6	PLATE	1	PC.
028			911225-0	PAN HEAD SCREW M5X16	2	PC.
029	2		154788-5	SLIDER COMPLETE (TYPE 2)	1	PC.
	3		168405-1	SLIDER (TYPE 3)	1	PC.
030			214169-6	PLANE BEARING 14	1	PC.
031			341462-6	PLATE	1	PC.
032			911225-0	PAN HEAD SCREW M5X16	2	PC.
033			265148-7	TORX SOCKET HEAD SCREW M5X14	2	PC.
034			345478-3	GEAR PLATE	1	PC.
035			265148-7	TORX SOCKET HEAD SCREW M5X14	2	PC.
036			345478-3	GEAR PLATE	1	PC.
037	2		212959-1	NEEDLE BEARING 708	1	PC.
038			125283-2	GEAR ASS'Y	1	PC.
		INC.	154476-4	GEAR COMPLETE	1	PC.
		INC.		Item No. 40	1	PC.
039			267290-0	FLAT WASHER 18	1	PC.
040			212115-3	NEEDLE BEARING 1216	1	PC.
041			232222-6	LEAF SPRING B	1	PC.
042			345479-1	SHOE GUIDE	1	PC.
043	2		265165-7	TORX SOCKET C.S.HEADSCREW M6X16	1	PC.
044	2		266373-3	TAPPING SCREW 5X35	4	PC.
045			861094-8	NAME PLATE F/JR3050T	1	PC.
046	2		265530-0	HEX.SOCKET HEAD BOLT M5X8	3	PC.
047			154497-6	GEAR HOUSING COMPLETE	1	PC.
048			961052-5	RETAINING RING S-12	1	PC.
049			210102-6	BALL BEARING 6001DDW	1	PC.
050			285718-6	BEARING RETAINER	1	PC.
051			241863-7	FAN 70	1	PC.

Item No	Type	Ref	Part No	Description	Qty	Unit
052	1		513596-7	ARMATURE ASS'Y 115V (For 9A Model)	1	PC.
		INC.		Item No. 51,53,54	1	PC.
	2		518682-9	ARMATURE ASS'Y 115V	1	PC.
		INC.		Item No. 51,53,54	1	PC.
053			681644-1	INSULATION WASHER	1	PC.
054			210029-0	BALL BEARING 608ZZ	1	PC.
055			418805-8	BAFFLE PLATE	1	PC.
056			525711-1	FIELD ASS'Y 115V	1	PC.
		INC.	654020-2	RING TERMINAL	2	PC.
		INC.	654501-6	CONNECTOR P-1.25	2	PC.
057	3		266056-5	TAPPING SCREW 5X45	2	PC.
059	2		194996-6	CARBON BRUSH CB-303 2PC/SET (W/ORIGIN)	1	SET
060			643750-0	BRUSH HOLDER CAP	2	PC.
061			154498-4	MOTOR HOUSING COMPLETE	1	PC.
		INC.	643708-9	BRUSH HOLDER 5-11	2	PC.
064			183920-4	HANDLE SET	1	SET
065			650543-8	SWITCH TG843TB-1	1	PC.
068	2		687123-7	CORD CLAMP (STRAIN RELIEF)	1	PC.
069			265995-6	TAPPING SCREW 4X18	2	PC.
070	1		682572-3	CORD GUARD 8 (For 9A Model)	1	PC.
	2		682573-1	CORD GUARD 10	1	PC.
071	1		664891-9	CORD WITH PLUG 2P-18-2.5M SJ (For 9A Model)	1	PC.
	2		664265-4	CORD WITH PLUG 2P-16-2.5M SJ	1	PC.
073			265995-6	TAPPING SCREW 4X18	5	PC.
074	1		125523-8	GEAR HOUSING COVER ASSY	1	PC.
		INC.		Item No. 3 - 15, 18 & 19, 22 & 23 & 25 - 32	1	PC.
	2		127399-9	GEAR HOUSING COVER ASSY	1	PC.
		INC.		Item No. 3 - 15, 18 & 19, 22 & 23 & 25 - 32	1	PC.
C01			847159-0	CARTON F/JR3050TY	1	PC.
<b>ACCESSORIES</b>				<b>- See catalogue or visit <a href="http://www.makita.ca">www.makita.ca</a> for more optional accessories -</b>		
A01	1		824734-9	PLASTIC CARRYING CASE	1	PC.
		INC.	417724-5	LATCH	2	PC.
	2		821621-3	PLASTIC CARRYING CASE	1	PC.
		INC.	162315-4	LATCH	2	PC.
A02	2		194068-7	RECIPRO SAW BLADE 2PC/KIT (F/Metal, F/Wood)	1	SET
	Opt		723054-A-5	RECIPRO SAW BLADE BIM 6T-6"	1	PC.
A03	1		310285-3X1	BLADE CLAMP KIT	1	PC.
		INC.		Item No. 3-17		
	2		195929-4	BLADE CLAMP KIT	1	PC.
		INC.		Item No. 3-15		
	3		191B01-2	BLADE CLAMP KIT	1	PC.
		INC.		Item No. 3-15		

## **SERVICE CHANGES**

### **1. Changes on Driving Sleeve and Protector**

(T/I# 81159)

<b>Item No.</b>	<b>Description</b>	<b>Type 1</b>	<b>Type 2</b>
003	Protector	421894-4	424147-0
005	Driving Sleeve	310160-3	310160-3

Above parts are interchangeable as a set.

### **2. Changes on Retaining Ring and Guide Sleeve**

(T/I# 75599)

(T/I# C8033)

<b>Item No.</b>	<b>Description</b>	<b>Type 1</b>	<b>Type 2</b>	<b>Type 3</b>
004	Retaining Ring	961078-7	257952-8	257430-8
009	Guide Sleeve	311639-1	331720-8	327043-0

Above parts are interchangeable as a set.